

## CP2406-RBe

Small-screen auditoriums | Boutique cinema | Screening rooms

Advanced, yet affordable, DCI-compliant cinema projection with laser illumination for screens up to 36' (10.9m)



### Key features:

- › **Electronic color convergence (ECC)** – Provides perfect alignment throughout the entire image
- › **Backwards compatibility** – works with existing Christie accessories and lenses
- › **Easy to operate** – adds UX-inspired interface for playback, scheduling and content management
- › **Affordable performance** – eliminate lamp costs and enjoy higher optical efficiency from laser diodes
- › **Ultra-low power standby** – in Hibernate mode the projector will consume less than 3W of power
- › **Long-lasting light source** – delivers stable light output and consistent colors for 50,000 hours



Brilliant electronics that help maintain day-one performance

[LAMPTOLASER.COM](https://www.lamptolaser.com)

Compare lamp and laser illumination technologies



## Specifications

## Christie CP2406-RBe

Brightness	nominal	• Up to 6,000 DCI lumens
	lifetime	• >50,000hrs (<25 C ambient) <sup>1</sup>
Contrast ratio		• 2,000:1 full field on/off
Digital micromirror device		• 0.69" S2K 3-chip DMD DLP Cinema® • 2048 x 1080 pixels (2K)
Color gamut		• >DCI-P3
Processing electronics		• Christie Cinelife+™ 2K Series (Series-2 IMB compatible) <sup>2</sup> • HDMI 2.0 x 2 • 1G Ethernet x1 • Remote UI • Electronic Color Convergence (ECC)
Noise level		• 49 dBA nominal at 25 C <sup>3</sup>
Lens mount configuration		• Fully motorized Intelligent Lens System (ILS™)
Lenses		• 1.2 - 1.72 / 1.33 - 2.1 / 1.62 - 2.7 / 2.09 - 3.9 / 0.83 - 1.2 (coming soon)
Input line voltage		• Single phase 200-240V
Hibernate		• <3W
Power consumption		• 610W max <sup>4</sup>
Laser class		• Class 1 – Risk Group 3
Automation		• GPIO/Health Connector (RJ-45): x7 opto-isolated GPI (inputs), x3 relay driven GPO (outputs), x1 "Projector Health" status - relay driven output • "Serial-over-Ethernet" based automation
Weight		• As installed: 137lbs (62kg) max
Dimensions (w/o lens)	size (LxWxH)	• 27.4 x 27.1 x 15.9" (696 x 688 x 404mm)
Accessories		• Rack mount stand • Touch panel controller (optional)

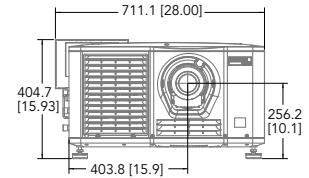
<sup>1</sup> Subject to variables specific to each installation. Please see Christie's laser best practices guide for more information.

<sup>2</sup> Supports Christie IMB-S4 and legacy Series 2 IMBs. A list of supported versions is available upon request.

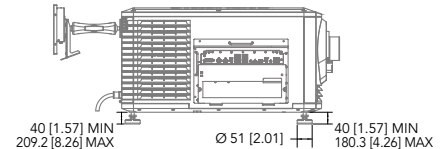
<sup>3</sup> Specific operating conditions may apply.

<sup>4</sup> Typical power consumption. May be impacted by environmental conditions. Subject to change.

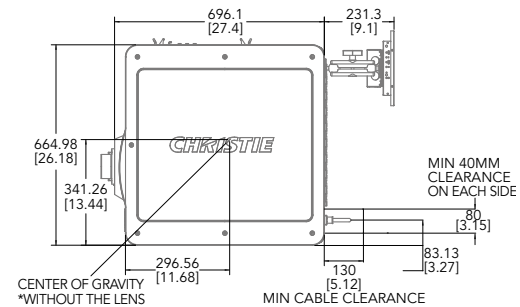
## Front view



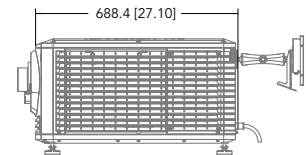
## Side view



## Top view



## Side view



### Corporate offices

### Worldwide offices

Christie Digital Systems USA, Inc. Cypress PH: +1 714-236-8610	Australia PH: +61 (0) 7 3624 4888	China (Shenzhen) PH: + 86 755 3680 7000	Mexico PH: +52 (55) 4744-1791	United Arab Emirates PH: +971 (0) 4 503 6800
Christie Digital Systems Canada Inc. Kitchener PH: +1 519-744-8005	Brazil PH: +55 11 3181-2952	Colombia PH: +57 (315) 652-9620	Singapore PH: +65 6877 8737	United Kingdom PH: +44 (0)118 977 8000
	China (Beijing) PH: +86 10 6561 0240	Germany PH: +49 221 99 512-0	South Korea PH: +82 2 702 1601	United States (Arizona) PH: +1 602-943-5700
	China (Shanghai) PH: +86 21 6030 0500	India PH: +91 (080) 6708 9999	Spain PH: +34 91 633-9990	United States (Texas) PH: +1 469-757-4420

For the most current specification information, please visit [christiedigital.com](http://christiedigital.com)

Copyright 2024 Christie Digital Systems USA, Inc. All rights reserved. Our centers of excellence for manufacturing in Kitchener, Ontario, Canada and in Shenzhen, China are ISO 9001:2015 Quality Management System-certified. All brand names and product names are trademarks, registered trademarks or tradenames of their respective holders. "Christie" is a trademark of Christie Digital Systems USA, Inc., registered in the United States of America and certain other countries. DLP® and the DLP logo are registered trademarks of Texas Instruments. Performance specifications are typical. Due to constant research, specifications are subject to change without notice.  
CD4420-CP2406-RBe-data-sheet-Mar-24-EN

